

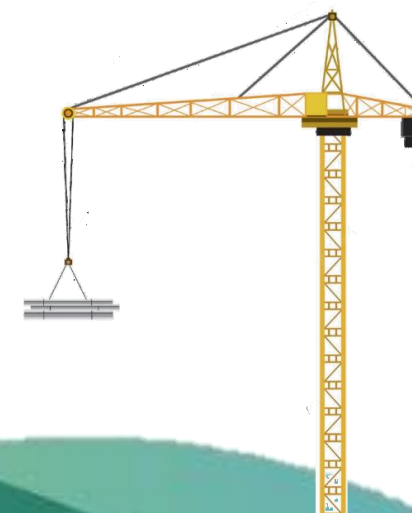
DIVISIÓN

IZAJE



AB

Representaciones
American Bismarck S.A.C.



 ventas@americanbismarck.com

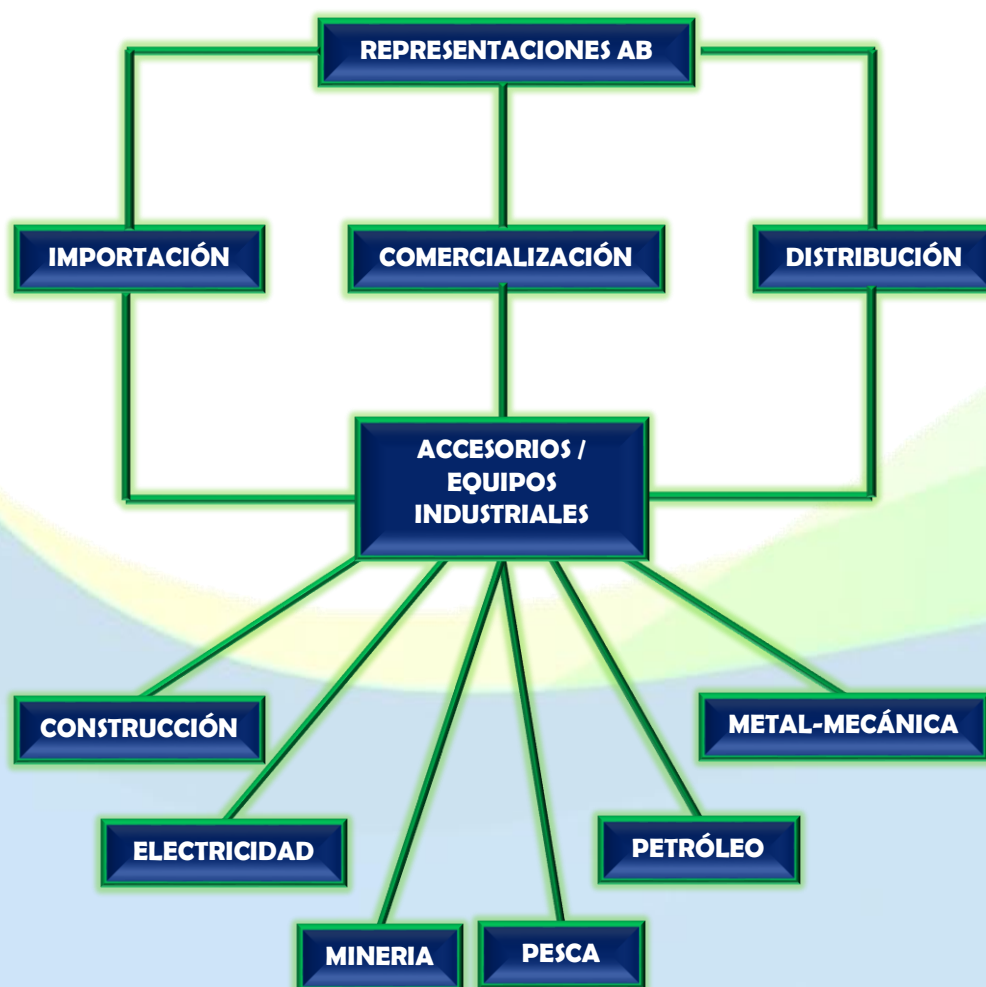
 997 542 269 / 950 294 247 / 976 979 626



www.americanbismarck.com

¿QUIENES SOMOS?

Somos una empresa dedicada a la importación, comercialización, distribución de accesorios y equipos de uso industrial necesarios para la minería, pesca, construcción, petróleo, electricidad y metal-mecánica.



MISIÓN

- ✓ Nos enfocamos en atender oportunamente los requerimientos de nuestros clientes, asesorándolos en la selección adecuada de sus equipos, logrando así la optimización en los tiempos de entrega.
- ✓ Procuramos la mejor atención, y precios del mercado; contamos con personal capacitado que siempre busca alcanzar la más alta calidad para la satisfacción de nuestros clientes.

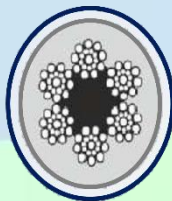
VISIÓN

- ✓ Ser reconocidos como una empresa importadora líder en el mercado peruano, ofreciendo un servicio integral en el sector minero, industrial y comercial; implementando tecnología y garantizando los mas altos estándares de calidad, seguridad protección medio ambiental y desarrollo social.



Only Safety Matters

CABLE DE ACERO NEGRO



SERIE 6 X 19			TIPO BOA			TIPO COBRA		
DIÁMETRO		N.º PARTE	ALMA DE ACERO			ALMA DE FIBRA		
MM.	PLG.		PESO KG/M	IPS	EIPS	PESO KG/M	IPS	
3.2	1/8"	8533	0.04	0.69	0.77	8481	0.04	0.63
4.8	3/16"	5659	0.10	1.43	1.60	12428	0.08	1.40
6.4	1/4"	5644	0.17	2.67	3.08	5401	0.16	2.49
8.0	5/16"	5665	0.27	4.16	4.78	5426	0.24	3.86
9.5	3/8"	5663	0.39	5.95	6.85	8835	0.35	5.53
11.1	7/16"	8606	0.52	8.07	9.25	8490	0.48	7.50
13.0	1/2"	5641	0.68	10.40	12.10	8834	0.63	9.71
14.5	9/16"	5674	0.88	13.20	15.20	8494	0.79	12.20
16.0	5/8"	8726	1.07	16.20	18.70	8489	0.98	15.10
19.0	3/4"	8536	1.55	23.20	26.70	8483	1.41	21.60
22.0	7/8"	8539	2.11	31.40	36.10	5434	1.92	29.20
26.0	1"	8528	2.75	40.70	46.90	8475	2.50	37.90
29.0	1-1/8"	8530	3.48	51.30	59.00	8477	3.17	47.70
32.0	1-1/4"	8529	4.30	63.00	72.50	-	3.91	58.60
35.0	1-3/8"	9059	5.21	75.70	87.10	-	4.73	70.50
38.0	1-1/2"	8725	6.19	89.70	103.00	-	5.63	83.50
42.0	1-5/8"	12391	7.26	104.00	120.00	-	6.61	97.10
45.0	1-3/4"	8796	8.44	121.00	139.00	-	7.66	112.00
48.0	1-7/8"	-	9.67	138.00	158.00	-	8.80	128.00
52.0	2"	13027	11.00	156.00	180.00	-	10.00	146.00

SERIE 6 X 36		TIPO CASCABEL			TIPO SUPERFLEX			
DIÁMETRO		N.º PARTE	ALMA DE ACERO			ALMA DE FIBRA		
MM.	PLG.		PESO KG/M	IPS	EIPS	PESO KG/M	IPS	
6.4	1/4"	5708	0.17	2.67	3.08	-	0.16	2.49
8.0	5/16"	5736	0.27	4.16	4.78	8936	0.24	3.86
9.5	3/8"	5729	0.39	5.95	6.85	8499	0.35	5.53
11.1	7/16"	12275	0.52	8.07	9.25	8937	0.48	7.50
13.0	1/2"	7177	0.68	10.40	12.10	8497	0.63	9.70
14.5	9/16"	8555	0.88	13.20	15.20	8502	0.79	12.20
16.0	5/8"	8553	1.07	16.20	18.70	8500	0.98	15.10
19.0	3/4"	8550	1.55	23.20	26.70	8498	1.41	21.60
22.0	7/8"	8554	2.11	31.40	36.10	8501	1.92	29.60
26.0	1"	8541	2.75	40.70	46.90	8496	2.50	37.90
29.0	1-1/8"	8544	3.48	51.30	59.00	-	3.17	47.70
32.0	1-1/4"	8543	4.30	63.00	72.50	-	3.91	58.60
35.0	1-3/8"	8548	5.21	75.70	87.10	-	4.73	70.50
38.0	1-1/2"	8542	6.19	89.70	103.00	-	5.63	83.50
42.0	1-5/8"	-	7.26	104.00	120.00	-	6.61	97.10
45.0	1-3/4"	5697	8.44	121.00	139.00	-	7.66	112.00
48.0	1-7/8"	-	9.67	138.00	158.00	-	8.80	128.00
52.0	2"	12390	11.00	156.00	180.00	-	10.00	145.00
54.0	2-1/8"	-	12.40	174.00	200.00	-	11.30	162.00
57.0	2-1/4"	-	13.90	195.00	224.00	-	12.70	181.00
60.0	2-3/8"	-	15.50	217.00	249.00	-	14.10	201.00
64.0	2-1/2"	-	17.30	238.00	274.00	-	15.60	221.00
67.0	2-5/8"	-	19.00	261.00	299.00	-	17.30	243.00
70.0	2-3/4"	-	20.80	285.00	333.00	-	18.90	265.00
74.0	2-7/8"	-	22.80	309.00	361.00	-	20.70	287.00
77.0	3"	-	24.70	336.00	389.00	-	22.50	312.00
80.0	3-1/8"	-	26.80	362.00	417.00	-	24.40	336.00
83.0	3-1/4"	-	29.00	389.00	447.00	-	26.30	362.00
86.0	3-3/8"	-	31.30	416.00	487.00	-	-	-
90.0	3-1/2"	-	33.80	445.00	519.00	-	-	-
95.0	3-3/4"	-	38.70	505.00	585.00	-	-	-
103.0	4"	-	44.05	569.00	665.00	-	-	-



Only Safety Matters

CABLE DE ACERO GALVANIZADO



SERIE 6 X 19		N.º DE PARTE	TIPO TONINA	
DIÁMETRO			ALMA DE FIBRA	
MM.	PLG.		PESO KG/M	RESISTENCIA RUPTURA EN TON.
3.2	1/8"	5557	0.04	0.63
4.8	3/16"	5559	0.08	1.40
6.4	1/4"	5555	0.16	2.49
8.0	5/16"	5566	0.24	3.86
9.5	3/8"	12276	0.35	5.53
11.1	7/16"	-	0.48	7.50
13.0	1/2"	5553	0.63	9.71
14.5	9/16"	8522	0.79	12.20
16.0	5/8"	8519	0.98	15.10
19.0	3/4"	8518	1.41	21.60
22.0	7/8"	12643	1.92	29.20
26.0	1"	8515	2.50	37.90
29.0	1-1/8"	8806	3.17	47.70
32.0	1-1/4"	5546	3.91	58.60
35.0	1-3/8"	-	4.73	70.50
38.0	1-1/2"	-	5.63	83.50

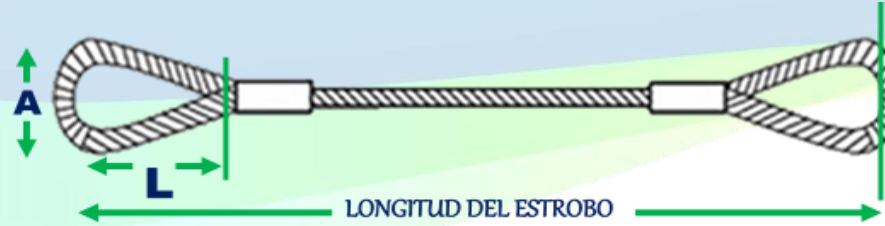
SERIE 6 X 24		N.º DE PARTE	TIPO BALLENA	
DIÁMETRO			ALMA DE FIBRA	
MM.	PLG.		PESO KG/M	RESISTENCIA RUPTURA EN TON.
6.4	1/4"	-	0.13	1.92
8.0	5/16"	-	0.22	2.88
9.5	3/8"	-	0.29	5.00
11.1	7/16"	-	0.39	7.10
13.0	1/2"	8747	0.52	9.00
14.5	9/16"	-	0.66	11.30
16.0	5/8"	8513	0.80	14.20
19.0	3/4"	8512	1.16	21.00
22.0	7/8"	8514	1.65	27.20
26.0	1"	8510	2.05	35.40
29.0	1-1/8"	8511	2.60	44.50
32.0	1-1/4"	-	3.21	54.80
35.0	1-3/8"	-	3.88	63.70
38.0	1-1/2"	-	4.63	75.70

ESTROBO DE CABLE DE ACERO



BISMARCK LIFTING®

ONLY QUALITY AND SAFETY MATERIAL



DIÁMETRO	ALMA DE ACERO IWRC			CAPACIDAD DE CARGA (TON.)				LARGO MÍNIMO DE ESTROBO (MTS.)
	VERTICAL	CHOKER	BASKET	TAMAÑO DE OJO SIMPLE		TAMAÑO DE OJO CON GUARDACABLE		
				A	L	A	L	
1/4"	0.65	0.48	1.3	2"	4"	7/8"	1-5/8"	0.45
5/16"	1	0.74	2	2-1/2"	5"	1-1/16"	1-7/8"	0.53
3/8"	1.4	1.1	2.8	3"	6"	1-1/8"	2-1/8"	0.60
1/2"	2.5	1.9	5	4"	8"	1-1/2"	2-3/4"	0.75
9/16"	3.2	2.4	6.4	4-1/2"	9"	1-1/2"	2-3/4"	0.80
5/8"	3.9	2.9	7.8	5"	10"	1-3/4"	3-1/4"	0.90
3/4"	2.6	4.1	11	6"	12"	2"	3-3/4"	1.05
7/8"	7.6	5.6	15	7"	14"	1-1/4"	4-1/4"	1.20
1"	9.8	7.2	20	8"	16"	2-1/2"	4-1/2"	1.35
1-1/8"	12	9.1	24	9"	18"	2-7/8"	5-1/8"	1.50
1-1/4"	15	11	30	10"	20"	2-7/8"	5-1/8"	1.65
1-3/8"	18	13	36	11"	22"	3-1/2"	6-1/4"	1.80
1-1/2"	21	16	42	12"	24"	3-1/2"	6-1/4"	2.10
1-3/4"	28	21	56	14"	28"	4-1/2"	9"	2.40
2"	37	28	74	16"	32"	6"	12"	2.70
2-1/4"	44	35	88	18"	36"	7"	14"	3.05
2-1/2"	54	42	108	20"	40"			3.35
2-3/4"	65	51	130	22"	44"			3.65
3"	77	60	154	24"	48"			3.95
3-1/2"	102	79	204	28"	56"			5.00
4"	130	98	260	32"	64"			6.10
4-1/2"	160	120	320	36"	72"			7.30
6"	250	187	500	48"	96"			9.10

ESTROBOS DE 2 – 3 – 4 RAMALES



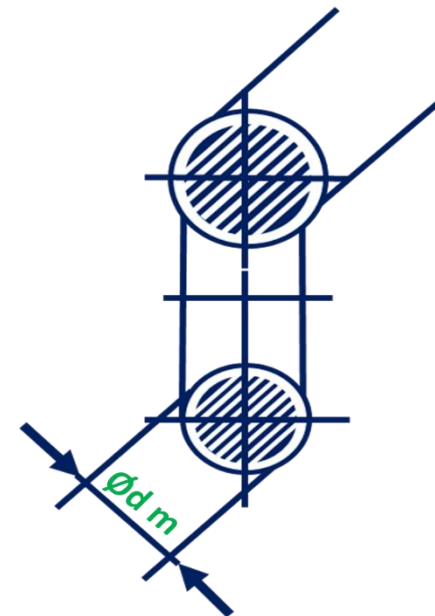
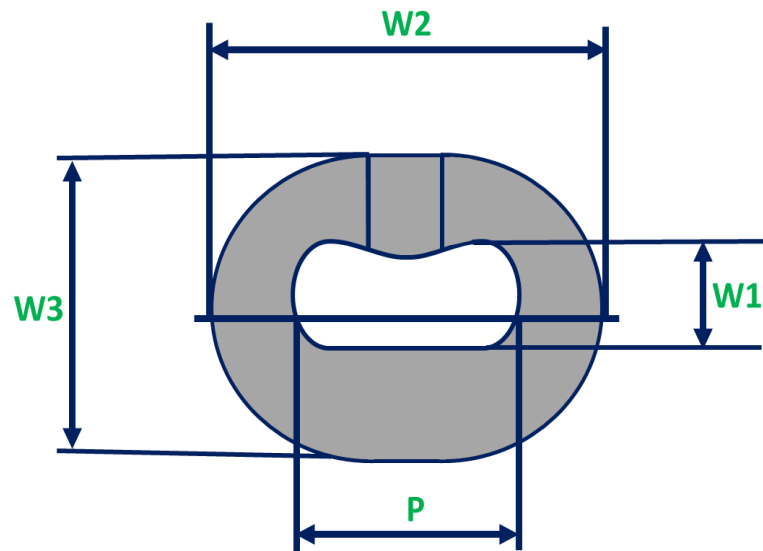
DIÁMETRO DE CABLE (PLG.)	LARGO MÍNIMO ESTROBO	CAP. DE GANCHO (TON.)	CAPACIDAD DE CARGA			CAPACIDAD DE CARGA			CAPACIDAD DE CARGA		
			60°	45°	30°	60°	45°	30°	60°	45°	30°
1/4"	0.38	1	1.10	0.91	0.65	1.70	1.40	0.97	2.2	1.8	1.3
5/16"	0.46	1	1.70	1.40	1.00	2.60	2.10	1.50	3.5	2.8	2.0
3/8"	0.51	1-1/2	2.50	2.00	1.40	3.70	3.00	2.20	5.0	4.1	2.9
7/16"	0.56	2	3.40	2.70	1.90	5.00	4.10	2.90	6.7	5.5	3.9
1/2"	0.61	3	4.40	3.60	2.50	6.60	5.40	3.80	8.8	7.1	5.1
9/16"	0.66	4-1/2	5.50	4.50	3.20	8.30	6.80	4.80	11.0	9.0	6.4
5/8"	0.71	4-1/2	6.80	5.50	3.90	10.00	8.30	5.90	14.0	11.0	7.8
3/4"	0.84	7	9.70	7.90	5.60	15.00	12.00	8.40	19.0	16.0	11.0
7/8"	0.99	11	13.00	11.00	7.60	20.00	16.00	11.00	26.0	21.0	15.0
1"	1.07	11	17.00	14.00	9.80	26.00	21.00	15.00	34.0	28.0	20.0
1-1/8"	1.22	15	21.00	17.00	12.00	31.00	26.00	18.00	42.0	34.0	24.0
1-1/4"	1.37	15	26.00	21.00	15.00	38.00	31.00	22.00	51.0	42.0	30.00
1-3/8"	1.52	22	31.00	25.00	18.00	46.00	38.00	27.00	62.00	51.00	36.00
1-1/2"	1.68	22	37.00	30.00	21.00	55.00	45.00	32.00	73.00	59.00	42.00
1-3/4"	1.98	30	49.00	40.00	28.00	73.00	59.00	42.00	97.00	79.00	56.00
2"	2.44	37	63.00	52.00	37.00	96.00	78.00	56.00	128.00	105.00	74.00
2-1/4"	2.67	37	74.00	62.00	44.00	114.00	93.00	66.00	152.00	124.00	88.00



Only Safety Matters

CADENA DE ACERO GRADO 80

MEDIDAS		CARGA DE TRABAJO (T)	CARGA DE RUPTURA (T)	DIMENSIONES (mm.)					PESO (KG)
Pulg. (")	Mim. (mm)			W1	W3	d	P	W2	
1/4"	6	1.12	4.48	7.5	19.5	6	18	30	0.79
5/16"	8	2	8	10	26	8	24	40	1.38
3/8"	10	3.15	12.6	12.5	32.5	10	30	50	2.2
1/2"	13	5.3	21.2	16.3	42.3	13	39	55	3.8
5/8"	16	8	32	20	52	16	48	80	5.63
3/4"	20	12.5	50	25	65	20	60	100	8.6
1"	26	21.2	84.8	35	87	26	92	144	13.7



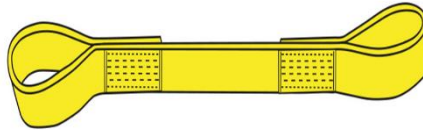


BISMARCK LIFING®
ONLY QUALITY AND SAFETY MATERIAL

ESLINGA DE POLIESTER PLANA

ESLINGA OJOS PLANOS

Es la más versátil de todas, y es recomendable para todos los tipos de maniobras: vertical, basket y choker. *Ojos planos medidos.



ESLINGA OJOS VOLTEADOS

Su forma de trabajo es similar a la de ojos planos, su uso más recomendable es para maniobras y/o izajes en choker.



ESLINGA CIRCULAR TIPO SIN N.

Su uso más recomendable es para maniobras y/o izajes en choker, vertical y basket.



ESLINGAS

CARGA LIMITE TRABAJO TM

CARGAS SEGURAS DE TRABAJO (S.W.L.) CON FACTOR DE SEGURIDAD 5.1

	N.º de Capas	CARGAS SEGURAS DE TRABAJO (S.W.L.) CON FACTOR DE SEGURIDAD 5.1						
		AXIAL	LAZO	EN "U"	60º	45º	30º	
1"	30	1	0,7	0,6	1,4	1,2	1,0	0,7
		2	1,4	1,1	2,8	2,4	2,0	1,4
		3	2,1	1,7	4,2	3,6	2,9	2,1
		4	2,8	2,2	5,6	4,8	3,9	2,8
2"	60	1	1,4	1,1	2,8	2,4	2,0	1,4
		2	2,8	2,2	5,6	4,8	3,9	2,8
		3	4,2	3,4	8,4	7,2	5,9	4,2
		4	5,6	4,5	11,2	9,6	7,8	5,6
3"	90	1	2,1	1,7	4,2	3,6	2,9	2,1
		2	4,2	3,4	8,4	7,2	5,9	4,2
		3	6,3	5,0	12,6	10,8	8,8	6,3
		4	8,4	6,7	16,8	14,4	11,8	8,4
4"	120	1	2,8	2,2	5,6	4,8	3,9	2,8
		2	5,6	4,5	11,2	9,6	7,8	5,6
		3	8,4	6,7	16,8	14,4	11,8	8,4
		4	11,2	9,0	22,4	19,3	15,7	11,6
5"	125	1	3,5	2,8	7,0	6,0	4,9	3,5
		2	7,0	5,6	14,0	12,0	9,8	7,0
		3	10,5	8,4	21,0	18,1	14,7	10,5
		4	14,0	11,2	28,0	24,1	19,6	14,0
6"	150	1	4,2	3,4	8,4	7,2	5,9	4,2
		2	8,4	6,7	16,8	14,4	11,8	8,4
		3	12,6	10,1	25,2	21,7	17,6	12,6
		4	16,8	13,4	33,6	28,9	23,5	16,8
8"	200	1	5,6	4,5	11,2	9,6	7,8	5,6
		2	11,2	9,0	22,4	19,3	15,7	11,2
		3	16,8	13,4	33,6	28,9	23,5	16,8
		4	22,4	17,9	44,8	38,5	31,4	22,4
10"	250	1	7,0	5,6	14,0	12,0	9,8	7,0
		2	14,0	11,2	28,0	24,1	19,6	14,0
		3	21,0	16,8	42,0	36,1	29,4	21,0
		4	28,0	22,4	56,0	48,2	39,2	28,0
12"	300	1	8,4	6,7	16,8	14,4	11,8	8,4
		2	16,8	13,4	33,6	28,9	23,5	16,8
		3	25,2	20,2	50,4	43,3	35,3	25,2
		4	33,6	26,9	67,2	57,8	47,0	33,6



FAJA RACHET

2" RACHET TIE DOWN

	Item	Strap (width x Length)	End Hardware	WLL	M.B.S
	RSDJ227	2" X 27"	Double J Hook	3,333 Lbs.	10,000 Lbs.
	RSDJ230	2" X 30"			
	RSFH227	2" X 27"	Flat Hook	3,333 Lbs.	10,000 Lbs.
	RSFH230	2" X 30"			
	RSGH 227	2" X 27"	Chain Grab Hook	3,333 Lbs.	10,000 Lbs.
	RSGH 230	2" X 30"			
	RSSH227	2" X 27"	Twisted Snap Hook	3,333 Lbs.	10,000 Lbs.
	RSSH230	2" X 30"			
	RSCH227	2" X 27"	Chain Anchassembly	3,333 Lbs.	10,000 Lbs.
	RSCH230	2" X 30"			
	RSDR227	2" X 27"	Delta Ring	3,333 Lbs.	10,000 Lbs.
	RSDR230	2" X 30"			
	RSLFH227	2" X 27"	Flat Hook	1,666 Lbs.	5,000 Lbs.
	RSLFH230	2" X 30"			
	RSLDR227	2" X 27"	Delta Ring	1,666 Lbs.	5,000 Lbs.
	RSLDR230	2" X 30"			

3/4" RACHET TIE DOWN

	Item	Strap (width x Length)	End Hardware	WLL	M.B.S
	RSDJ327	3" X 27"	Double J Hook	5,000 Lbs.	15,000 Lbs.
	RSDJ430	4" X 30"			
	RSFH327	3" X 27"	Flat Hook	5,000 Lbs.	15,000 Lbs.
	RSFH430	4" X 30"			
	RSGH327	3" X 27"	Chain Grab Hook	5,000 Lbs.	15,000 Lbs.
	RSGH430	4" X 30"			
	RSCH327	3" X 27"	Chain Anchassembly	5,000 Lbs.	15,000 Lbs.
	RSCH430	4" X 30"			
	RSFT327	3" X 27"	Forged Triangle	5,000 Lbs.	15,000 Lbs.
	RSFT430	4" X 30"			



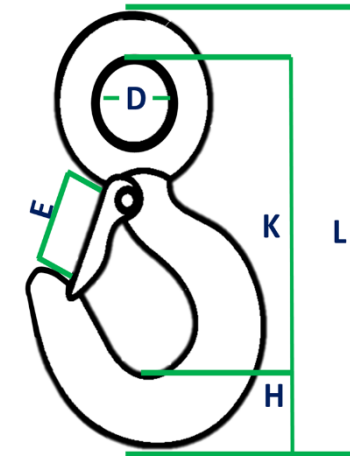
Only Safety Matters

SLR[®] Crosby[®]



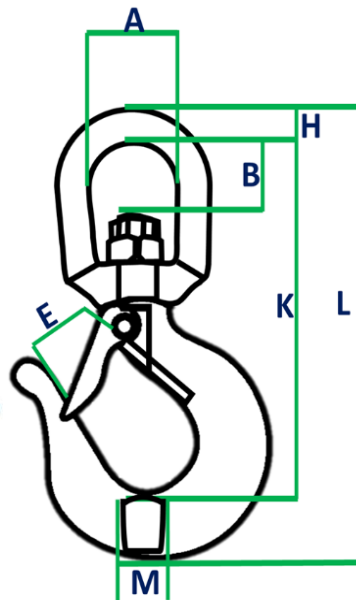
GANCHO FIJO ESTÁNDAR G-80

MEDIDAS		CARGA DE TRABAJO (T)	CARGA DE RUPTURA (T)	DIMENSIONES (mm.)					PESO (KG)
Pulg. (")	Mim. (mm)			D	E	H	K	L	
1/4"	6	1.12	4.48	19	22	19	80	110	0.28
5/16"	7-8	2	8	28	25	25	103	140.5	0.65
3/8"	10	3.15	12.6	31	27.5	28	118	162	0.94
1/2"	13	5.3	21.2	39	33	35	145	201	1.95
5/8"	16	8	32	51	40	45	180	256	3.77
3/4"	18-20	12.5	50	62	51	57	230	317	6.8
7/8"	22	15	60	73	57	70	260	360	9.8
1"	26	21.2	84.8	89	75	76	318	434	16.25
1-1/4"	32	31.5	126	90	98	91	360	495.5	27.2



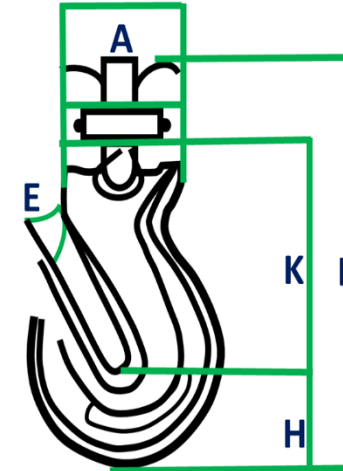
GANCHO GIRATORIO ESTÁNDAR G-80

MEDIDAS		CARGA DE TRABAJO (T)	CARGA DE RUPTURA (T)	DIMENSIONES (mm.)							PESO (KG)
Pulg. (")	Mim. (mm)			A	E	B	H	K	L	M	
1/4"	6	1.12	4.48	32	22	17	9	109	137	16	0.34
5/16"	8	2	8	42	21.5	35	15.8	150	192	21	1.02
3/8"	10	3.15	12.6	42.5	26	35	15.8	162.5	208.5	23	1.24
1/2"	13	5.3	21.2	48	32.5	39	18	191	246	31	3.60
5/8"	16	8	32	62	43	53	25	243.5	313	34	4.66
3/4"	20	12.5	50	68	49.5	51	28.5	276.5	363.5	41.5	7.4
7/8"	22	15	60	79	54.5	65	32	332	431	55.7	10.6
1"	26	21.2	84.8	105	81	114	40	429.5	545.5	70	21.4
1-1/4"	32	31.5	126	105	100	96	40	465.3	596	76.2	32

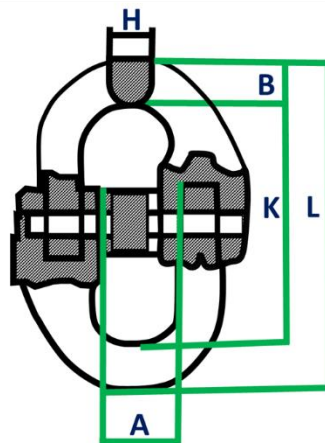


GANCHO TRABACADENA G-80

MEDIDAS		CARGA DE TRABAJO (T)	CARGA DE RUPTURA (T)	DIMENSIONES (mm.)						PESO (Lbs.)
Pulg. (")	Mim. (mm)			A	E	B	H	K	L	
1/4"	6	1.12	4.48	8	8	34	19.5	57	90.5	0.2
9/32"	7-8	2	8	9.5	9.5	41	23	65.3	106.5	0.7
3/8"	10	3.15	12.6	12.7	12.5	46	31	82	137	1.5
1/2"	13	5.4	21.6	16	16.7	61	43	113	184.5	4.0
5/8"	16	8.2	32.8	19.5	20	68.5	49	129.5	215	6.8
3/4"	18-20	12.8	51.2	24	24	88	58	152	254	9.0
7/8"	22	15.5	62	27	26	96	64.8	178	295	13.6



CONECTOR DE CADENA G-80



MEDIDAS		CARGA DE TRABAJO (T)	CARGA DE RUPTURA (T)	DIMENSIONES (mm.)					PESO
Pulg. (")	Mim. (mm)			A	B	L	K	H	
1/4"	6	1.12	4.48	15	7.5	58	42	7	0.8
5/16"	7-8	2	8	19.5	9.5	79.5	60.5	8.5	0.2
3/8"	10	3.15	12.6	25	12	90.5	68	11.5	0.3
0 1/2"	13	5.3	21.2	29	15	117	87	15	0.7
5/8"	16	8	32	34.5	19.8	148	108.4	19.8	1.2
3/4"	18-20	12.5	50	41	24	169.5	121.5	24	2.1
7/8"	22	15	60	48	26	193.5	141.5	26	2.9
1"	26	21.2	84.8	57.5	31	220	158	30	4.5
1-1/4"	32	31.5	126	57.5	38	281	205	37	8.2



SLR® Crosby®



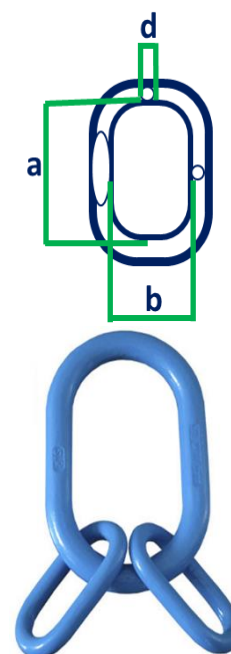
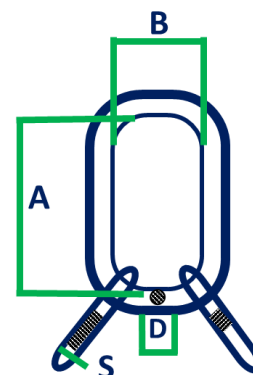
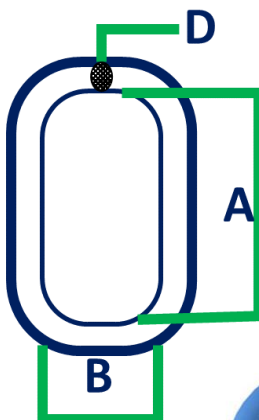
Only Safety Matters

ANILLA TRIPLE G-80

ANILLA MAESTRA G-80

MEDIDAS		CARGA DE TRABAJO (T)	CARGA DE RUPTURA (T)	DIMENSIONES (mm.)			PESO (KG)
Pulg. (")	Mim. (mm)			A	B	D	
1/2"	13	2.8	11.2	127	63.5	13	0.4
5/8"	16	3.15	12.6	152	76	16	0.7
3/4"	19	4.25	17	140	70	19	0.9
7/8"	22	5.3	21.2	160	90	22	1.5
1"	25.4	11.2	44.8	178	89	25	2.1
1-1/4"	32	16	64	222	111	32	4.2
1-1/2"	38	21.2	84.8	267	135	38	7.2
1-3/4"	44	21.2	84.8	305	152	45	11.5
2"	50.8	31.5	126	355	178	51	17.2
2-1/4"	56	45	180	406	203	57	24.5
2-1/2"	63	72.6	290.4	406	203	63	30.9
2-3/4"	69	98.4	393.6	406	241	70	39.5
3"	76	103	412	457	228	76	50.3
3-1/4"	82	119	476	508	254	82.5	65.7
3-1/2"	89	126	504	610	305	89	90.2
3-3/4"	95	152	608	508	254	95	89.3
4	101.6	169	676	508	254	102	103.4
1-1/2"	38	25	100	300	160	40	8.9
1-3/4"	44	31.5	126	340	180	45	12.8
2	50.8	45	180	390	215	51	17.3

MEDIDAS		CARGA DE TRABAJO (T)	CARGA DE RUPTURA (T)	DIMENSIONES (mm.)						PESO (KG)
Pulg. (")	Mim. (mm)			A	B	D	a	b	d	
3/4"	19	4.25	17	140	70	20	85	40	14	1.5
7/8"	22	6.7	26.8	160	95	22	85	40	14	2.2
1"	25.4	6.7	26.8	178	89	25	100	60	18	3.3
1-1/4"	32	17	68	220	110	32	100	60	22	7.2
1-1/2"	38	23.6	94.4	267	135	38	180	100	30	12.9
1-3/4"	44	31.5	126	305	152	45	180	100	32	21.3
2"	50.8	31.5	126	356	178	50	180	100	38	30.3
2-1/2"	63	45	180	406	203	64	355	178	51	64.4
2-3/4"	69	67	268	406	241	70	406	203	57	89



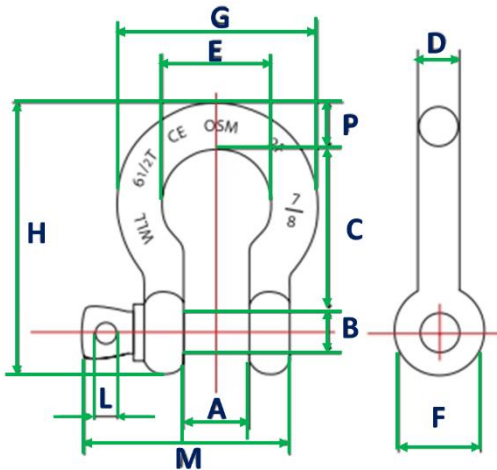


Only Safety Matters

SLR Crosby



GRILLETE TIPO LIRA CON PIN ROSCADO



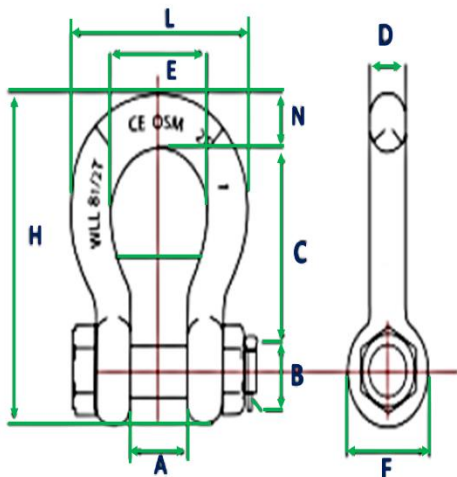
PRODUCT.	NOMINAL SIZE (in.)	WLL. 6:1 TON.	KG.	DIMENSIONS (mm.)												TOLERANCE (+/-)	
				A	B	C	D	E	F	G	H	L	M	P	C	A	
SPB 004	3/16"	1/3	0	10	6	22	5	15	14	25	37	4	28	28	5	2	
SPB 006	1/4"	1/2	0	12	8	29	6	20	16	33	47	5	35	35	6	2	
SPB 007	5/16"	3/4	0	14	10	31	8	21	19	37	53	6	42	42	8	2	
SPB 010	3/8"	1	0	17	11	37	10	26	23	45	63	6	52	52	10	2	
SPB 011	7/16"	1-1/2	0	19	13	43	11	30	27	52	74	8	61	61	11	2	
SPB 013	1/2"	2	0	21	16	48	13	38	30	59	84	10	69	69	13	2	
SPB 016	5/8"	3-1/4	1	27	19	61	16	46	38	75	106	11	85	85	18	2	
SPB 019	3/4"	4-3/4	1	32	22	72	19	53	46	89	126	13	101	101	21	2	
SPB 022	7/8"	6-1/2	2	37	25	84	22	61	53	102	148	13	114	114	25	2	
SPB 025	1"	8-1/2	2	43	29	96	25	69	61	119	167	14	129	129	27	2	
SPB 028	1-1/8"	9-1/2	3	46	32	108	30	74	69	131	190	16	142	142	32	2	
SPB 032	1-1/4"	12	4	52	35	119	33	83	76	146	210	18	156	156	35	3	
SPB 035	1-3/8"	13-1/3	6	57	38	133	36	92	84	162	233	19	174	174	38	3	
SPB 038	1-1/2"	17	8	61	41	146	39	99	92	175	254	21	187	187	41	3	
SPB 044	1-3/4"	25	13	73	51	178	47	127	106	225	313	25	231	231	57	3	
SPB 050	2"	35	20	83	57	197	53	146	122	253	348	31	263	263	61	3	
SPB 063	2-1/2"	55	39	105	184	267	64	184	152	311	453	32	319	319	64	3	



SLR Crosby



GRILLETE TIPO LIRA CON PIN Y TUERCA



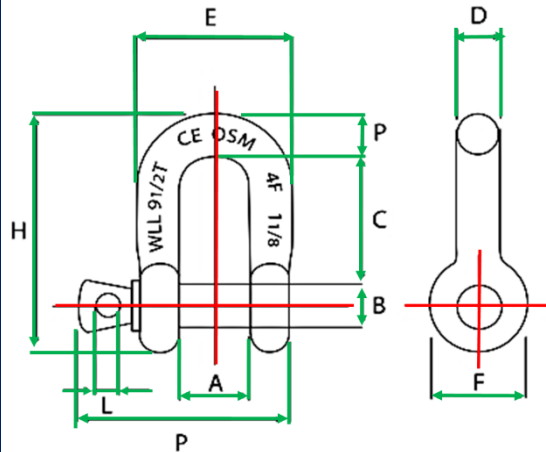
PRODUCT.	NOMINAL SIZE (in.)	WLL. 6:1 TON.	KG.	DIMENSIONS (mm.)									TOLERANCE (+/-)	
				A	B	C	D	E	F	H	L	N	C	A
SBB 013	1/2"	2	0.4	20.6	16.0	47.8	12.7	33.3	30.2	83.5	58.5	12.70	3.30	1.50
SBB 016	5/8"	3-1/4	0.8	26.9	19.1	60.5	16.0	42.9	38.1	106.0	74.5	17.50	6.35	1.50
SBB 019	3/4"	4-3/4	1.2	31.8	22.4	71.5	19.1	51.0	46.0	126.0	89.0	20.60	6.35	1.50
SBB 022	7/8"	6-1/2	1.8	36.6	25.4	84.0	22.4	58.0	53.0	148.0	102.0	24.60	6.35	1.50
SBB 025	1"	8-1/2	2.8	42.9	28.7	95.5	25.4	68.5	60.5	167.0	119.0	26.90	6.35	1.50
SBB 028	1-1/8"	9-1/2	3.8	46.0	31.8	108.0	28.7	74.0	68.5	190.	131.0	31.80	6.35	1.50
SBB 032	1-1/4"	12	5.3	51.5	35.1	119.0	31.8	82.5	76.0	210.0	146.0	35.10	6.35	1.50
SBB 035	1-3/8"	13-1/3	7.2	57.0	38.1	133.0	35.1	92.0	84.0	233.0	162.0	38.10	6.35	3.30
SBB 038	1-1/2"	17	9.4	60.5	41.4	146.0	38.1	98.5	92.0	254.0	175.0	41.10	6.35	3.30
SBB 044	1-3/4"	25	15.4	73.0	51.0	178.0	44.5	127.0	106.0	313.0	225.0	57.00	6.35	3.30
SBB 050	2"	35	23.7	82.5	57.0	197.0	51.0	146.0	122.0	348.0	253.0	61.00	6.35	3.30
SBB 063	2-1/2"	55.0	44.6	104.8	71.0	266.7	63.5	152.4	152.4	453.1	326.0	79.50	6.35	3.30
SBB 075	3"	85.0	76.0	127.0	80.0	331.5	76.0	200.0	165.0	546.1	364.0	91.00	6.35	3.30
SBB 088	3-1/2	120.0	120.0	133.0	95.0	372.0	92.0	229.0	203.0	625.6	419.0	104.60	6.35	3.30
SBB 100	4"	150	153.0	140.0	110.0	367.0	104.0	254.0	229.0	652.5	467.0	115.80	6.35	3.30



SLR Crosby



GRILLETE TIPO U CON PIN ROSCADO



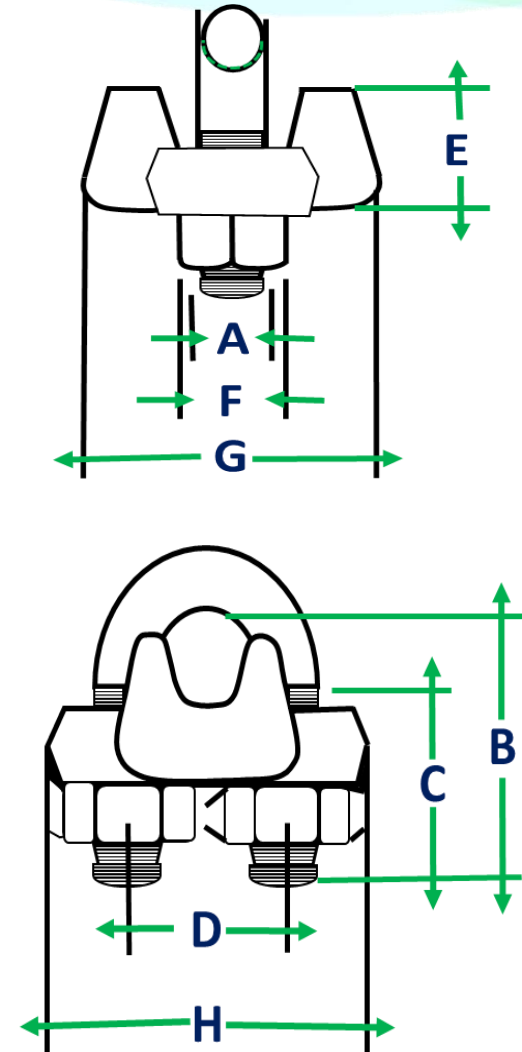
PRODUCT.	NOMINAL SIZE (in.)	WLL. 6:1 TON.	KG.	DIMENSIONS (mm.)										TOLERANCE (+/-)	
				A	B	C	D	E	F	p	H	L	M	C	A
SPD 004	3/16"	1/3	0.02	10.00	6.30	5.00	5.00	20.00	14.50	19.50	37.25	3.50	37.25	1.50	1.50
SPD 006	1/4"	1/2	0.05	11.90	7.85	6.35	6.35	24.60	15.50	22.40	40.40	4.85	35.10	1.50	1.50
SPD 008	5/16"	3/4	0.08	13.50	9.65	7.85	7.85	29.50	19.10	26.20	48.50	5.60	42.20	1.50	1.50
SPD 010	3/8"	1	0.11	16.80	11.20	9.65	9.65	35.80	23.10	31.80	58.50	6.35	51.50	3.30	1.50
SPD 011	7/16"	1-1/2	0.18	19.10	12.70	11.20	11.20	41.40	26.90	36.60	67.50	7.85	60.50	3.30	1.50
SPD 013	1/2"	2	0.27	20.60	16.00	12.70	12.70	46.00	30.20	41.40	77.00	9.65	68.50	3.30	1.50
SPD 016	5/8"	3-1/4	0.55	26.90	19.10	15.70	16.00	58.50	38.10	51.00	95.50	11.20	85.00	3.30	1.50
SPD 019	3/4"	4-3/4	0.98	31.80	22.40	20.76	19.10	70.0	46.0	60.50	115.00	12.70	101.0	6.35	1.50
SPD 022	7/8"	6-1/2	1.43	36.60	25.40	24.60	22.40	81.0	53.0	71.50	135.0	12.70	114.0	6.35	1.50
SPD 025	1"	8-1/2	2.15	42.90	28.70	25.40	25.40	93.5	60.5	81.00	151.0	14.20	129.0	6.35	1.50
SPD 028	1-1/8"	9-1/2	3.06	46.00	31.80	31.80	28.70	103.0	68.5	91.0	172.0	16.00	142.0	6.35	1.50
SPD 032	1-1/4"	12	4.11	51.50	35.10	35.10	31.80	115.0	76.0	100.0	191.0	17.50	156.0	6.35	3.30
SPD 035	1-3/8"	13-1/2	5.28	57.00	38.10	38.10	35.10	127.0	84.0	111.0	210.0	19.10	174.0	6.35	3.30
SPD 038	1-1/2"	17	7.23	60.50	41.40	41.10	38.10	137.0	92.0	122.0	230.0	20.60	187.0	6.35	3.30
SPD 044	1-3/4"	25	12.13	73.00	51.00	54.00	44.50	162.0	106.0	146.0	279.0	25.40	231.0	6.35	3.30
SPD 050	2	35	19.19	82.50	57.00	51.00	51.00	184.0	122.0	172.0	312.0	31.00	263.0	6.35	3.30



SLR Crosby



GRAPA TIPO CLIP



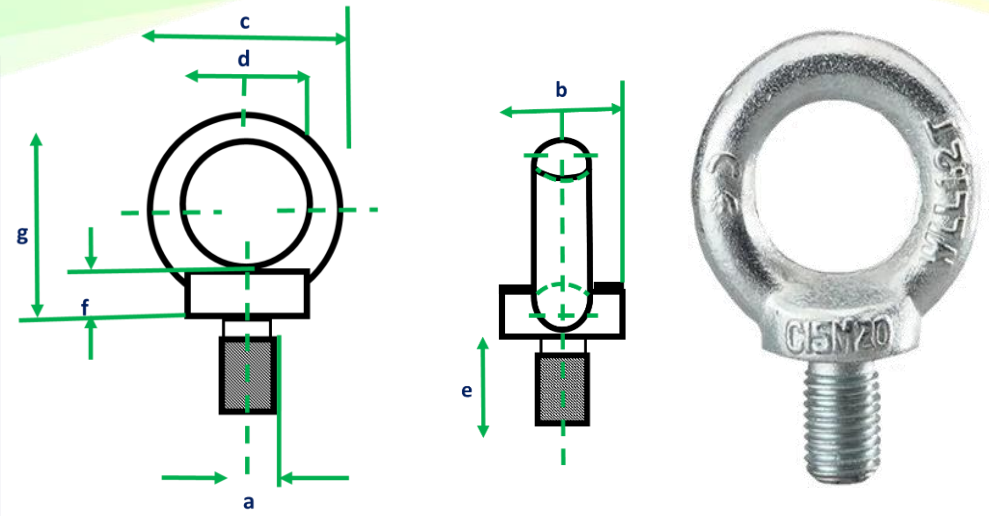
TAM. CABLE (PLG.)	G-450 N° DE PARTE	CANTIDAD EN PAQ. ESTANDAR	PESO POR (100 LBS.)	DIMENSIONES (mm.)							
				A	B	C	D	E	F	G	H
*1/8"	1010015	100	6	.22	.72	.44	.47	.37	.38	.81	.99
*3/16"	1010033	100	10	.25	.97	.56	.59	.50	.44	.94	1.18
1/4"	1010051	100	19	.31	1.03	.50	.75	.66	.56	1.19	1.43
5/16"	1010079	100	28	.38	1.38	.75	.88	.73	.69	1.31	1.66
3/8"	1010097	100	48	.44	1.50	.75	1.00	.91	.75	1.63	1.94
7/16"	1010113	50	78	.50	1.88	1.00	1.19	1.13	.88	1.91	2.28
1/2"	1010131	50	80	.50	1.88	1.00	1.19	1.13	.88	1.91	2.28
9/16"	1010159	50	109	.56	2.25	1.25	1.31	1.34	.94	2.06	2.50
5/8"	1010177	50	110	.56	2.25	1.25	1.31	1.34	.94	2.06	2.50
3/4"	1010195	25	142	.62	2.75	1.44	1.50	1.39	1.06	2.25	2.84
7/8"	1010211	25	212	.75	3.12	1.62	1.75	1.58	1.25	2.44	3.16
1"	1010239	10	252	.75	3.50	1.81	1.88	1.77	1.25	2.63	3.47
1-1/8"	1010257	10	283	.75	3.88	2.00	2.00	1.91	1.25	2.81	3.59
1-1/4"	1010275	10	438	.88	4.44	2.22	2.31	2.17	1.44	3.13	4.13
1-3/8"	1010293	10	442	.88	4.44	2.22	2.38	2.31	1.44	3.13	4.19
1-1/2"	1010319	10	544	.88	4.94	2.38	2.59	2.44	1.44	3.41	4.44
1-5/8"	1010337	Bulk	704	1.00	5.31	2.62	2.75	2.66	1.63	3.63	4.75
1-3/4"	1010355	Bulk	934	1.13	5.75	2.75	3.06	2.92	1.81	3.81	5.24
2"	1010373	Bulk	1300	1.25	6.44	3.00	3.38	3.28	2.00	4.44	5.88
2-1/4"	1010391	Bulk	1600	1.25	7.13	3.19	3.88	3.19	2.00	4.56	6.38
2-1/2"	1010417	Bulk	1900	1.25	7.69	3.44	4.13	3.69	2.00	4.05	6.63
**2-3/4"	1010435	Bulk	2300	1.25	8.31	3.56	4.38	4.88	2.00	5.00	6.88
3"	1010453	Bulk	3100	1.50	9.19	3.88	4.75	4.44	2.38	5.31	7.61
**3-1/2"	1010426	Bulk	4000	1.50	10.75	4.50	5.50	6.00	2.38	6.19	8.38



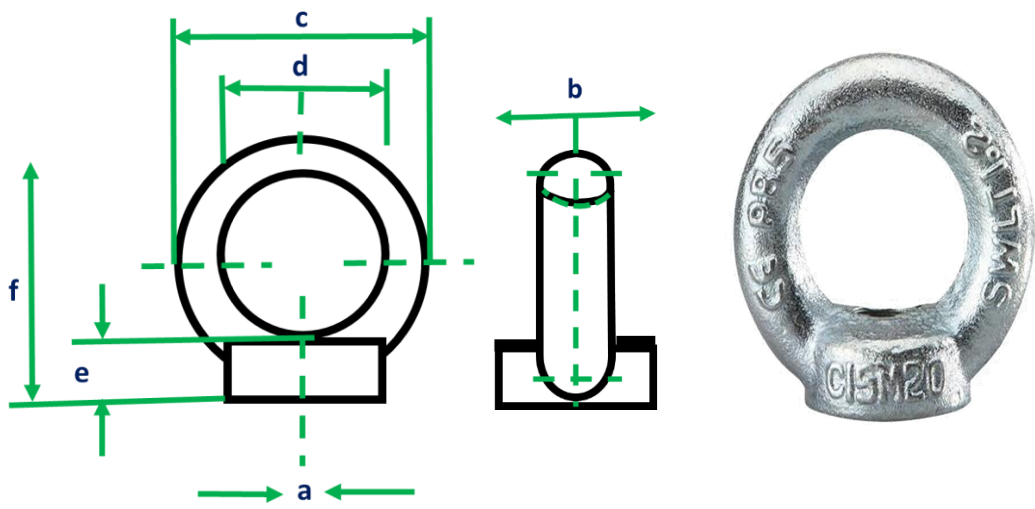
Only Safety Matters

CÁNCAMO MACHO

TIPO	DIÁMETRO ROSCA (PLG.)	CARGA MÁXIMA TRABAJO (TON.)	PESO DE C/U (KG.)	DIMENSIONES (mm.)						
				a	b	c	d	e	f	g
M6	1/4"	0.07	0.051	6	20	36	20	13	6	36
M8	5/16"	0.14	0.055	8	20	36	20	13	6	36
M10	3/8"	0.23	0.103	10	25	45	25	17	8	45
M12	1/2"	0.34	0.169	12	30	54	30	20.5	10	53
M14	9/16"	0.49	0.29.9	14	35	63	35	27	12	60
M16	5/8"	0.70	0.307	16	35	63	35	27	12	62
M20	3/4"	1.20	0.424	20	40	72	40	30	14	71
M22	7/8"	1.50	0.628	22	45	81	45	35	14	80
M24	1"	1.80	0.908	24	50	90	50	36	18	90



CÁNCAMO HEMBRA

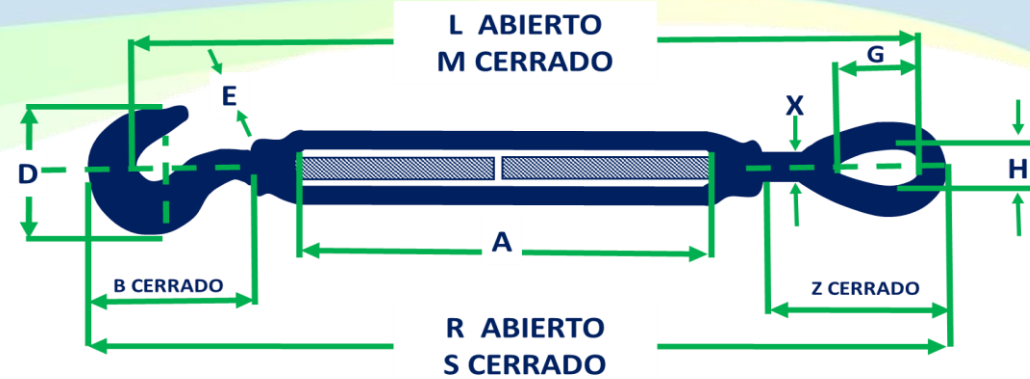


TIPO	DIÁMETRO ROSCA (PLG.)	CARGA MÁXIMA TRABAJO (TON.)	PESO DE C/U (KG.)	DIMENSIONES (mm.)					
				a	b	c	d	e	f
M6	1/4"	0.07	0.051	6	20	36	20	8.5	36
M8	5/16"	0.14	0.055	8	20	36	20	8.5	36
M10	3/8"	0.23	0.103	10	25	45	25	10.0	45
M12	1/2"	0.34	0.169	12	30	54	30	11.0	53
M14	9/16"	0.49	0.29.9	14	35	63	35	13.0	60
M16	5/8"	0.70	0.307	16	35	63	35	13.0	62
M20	3/4"	1.20	0.424	20	40	72	40	16.0	71
M22	7/8"	1.50	0.628	22	45	81	45	18.0	80
M24	1"	1.80	0.908	24	50	90	50	20.0	90

TEMPLADOR OJO Y GANCHO



SLR Crosby



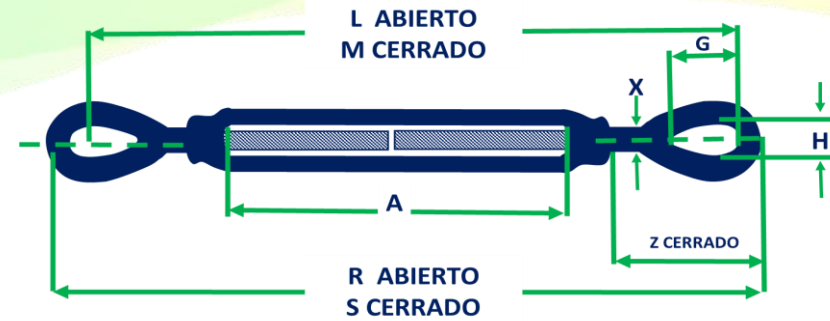
DIÁMETRO DE ROSCA LONG. A TENSAR (PULG.)	LÍMITE DE TRABAJO (LBS.)	PESO DE C/U. (LBS.)
1/4 X 4	400	0.29
5/16 X 4-1/2	700	0.49
3/8 X 6	1.000	0.78
1/2 X 6	1.500	1.61
1/2 X 12	1.500	2.26
5/8 X 6	2.250	2.70
5/8 X 12	2.250	3.78
3/4 X 6	3.000	3.89
3/4 X 12	3.000	5.83
3/4 X 18	3.000	6.33
7/8 X 12	4.000	8.10
1 X 12	5.000	11.93

DIMENSIONES EN PULGADAS											
X	E	B (CERRADA)	D	L (ABIERTO)	M (CERRADO)	R (ABIERTO)	S (CERRADO)	G	H	Z (CERRADO)	A
0.25	0.45	1.59	1.27	11.46	7.46	12.09	8.09	0.78	0.34	1.75	4.00
0.31	0.50	1.94	1.50	13.19	8.69	13.47	9.47	0.94	0.44	2.09	4.50
0.38	0.56	2.30	1.77	16.98	10.98	17.94	11.94	1.12	0.53	2.52	6.00
0.50	0.66	2.94	2.28	19.45	12.45	20.67	13.67	1.44	0.72	3.23	6.00
0.50	0.66	2.94	2.28	31.45	18.45	32.67	19.67	1.44	0.72	3.23	12.00
0.63	0.90	3.69	2.81	21.96	13.96	22.72	15.47	1.75	0.88	3.90	6.00
0.63	0.90	3.69	2.81	33.21	19.96	34.72	21.47	1.75	0.88	3.90	12.00
0.75	0.98	4.52	3.33	23.13	15.63	24.95	17.45	2.09	1.00	4.69	6.00
0.75	0.98	4.52	3.33	35.13	21.63	36.95	23.45	2.09	1.00	4.69	12.00
0.75	0.98	4.52	3.33	47.13	27.63	48.95	29.45	2.09	1.00	4.69	18.00
0.88	1.13	5.19	3.78	36.53	22.78	38.66	24.91	2.38	1.25	5.10	12.00
1.00	1.25	5.84	4.25	38.80	24.80	41.20	27.20	3.00	1.44	6.36	12.00

TEMPLADOR OJO Y OJO



SLR Crosby



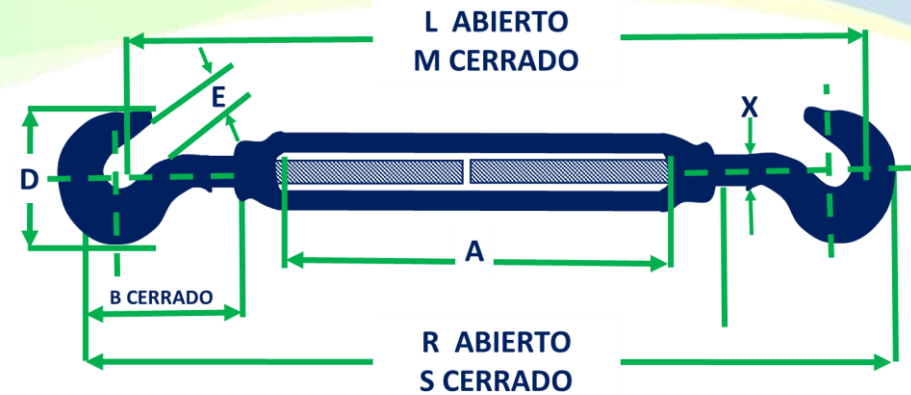
DIÁMETRO DE ROSCA LONG. A TENSAR (PULG.)	LÍMITE DE TRABAJO (LBS.)	PESO DE C/U. (LBS.)
1/4 X 4	500	0.26
5/16 X 4-1/2	800	0.45
3/8 X 6	1.200	0.76
1/2 X 6	2.200	1.54
1/2 X 12	2.200	2.14
5/8 X 6	3.500	2.40
5/8 X 12	3.500	3.42
3/4 X 6	5.200	3.79
3/4 X 12	5.200	5.48
3/4 X 18	5.200	7.19
7/8 X 12	7.200	7.22
7/8 X 18	7.200	9.95
1 X 6	10.000	9.04
1 X 12	10.000	11.50
1 X 18	10.000	14.00
1 X 24	10.000	17.25
1-1/4 X 12	15.200	19.00
1-1/4 X 18	15.200	23.00
1-1/4 X 24	15.200	27.00
1-1/2 X 12	21.400	27.50
1-1/2 X 18	21.400	31.00
1-1/2 X 24	21.400	37.50
1-3/4 X 18	28.000	52.50
1-3/4 X 24	28.000	58.00
2 X 24	37.000	85.25
2-1/2 X 24	60.000	144.25
2-3/4 X 24	75.000	194.00

DIMENSIONES EN PULGADAS								
X	L (ABIERTO)	M (CERRADO)	R (ABIERTO)	S (CERRADO)	G	H	Z (CERRADO)	A
0.25	11.80	7.80	12.25	8.25	0.78	0.34	1.75	4.00
0.31	13.56	9.06	14.12	9.62	0.94	0.44	2.09	4.50
0.38	17.47	11.47	18.16	12.16	1.12	0.53	2.52	6.00
0.50	20.08	13.08	20.06	13.96	1.44	0.72	3.23	6.00
0.50	32.08	19.08	32.96	19.96	1.44	0.72	3.23	12.00
0.63	21.93	14.68	22.93	15.68	1.75	0.88	3.90	6.00
0.63	33.93	20.68	34.93	21.68	1.75	0.88	3.90	12.00
0.75	23.88	16.38	25.12	17.62	2.09	1.00	4.69	6.00
0.75	35.88	22.38	37.12	23.62	2.09	1.00	4.69	12.00
0.75	47.88	28.38	49.12	29.62	2.09	1.00	4.69	18.00
0.88	37.07	23.32	38.57	24.82	2.38	1.25	5.10	12.00
0.88	49.07	29.32	50.57	30.82	2.38	1.25	5.10	18.00
1.00	27.97	19.97	29.72	21.72	3.00	1.44	6.36	6.00
1.00	39.97	25.97	41.97	27.72	3.00	1.44	6.36	12.00
1.00	51.97	31.97	53.72	33.72	3.00	1.44	6.36	18.00
1.00	63.97	37.97	65.72	39.72	3.00	1.44	6.36	24.00
1.25	42.81	28.31	45.06	30.56	3.56	1.81	7.72	12.00
1.25	54.81	34.31	57.06	36.56	3.56	1.81	7.72	18.00
1.25	66.81	40.31	69.06	42.56	3.56	1.81	7.72	24.00
1.50	45.50	30.50	48.00	33.00	4.06	2.12	8.62	12.00
1.50	57.50	36.50	60.00	39.00	4.06	2.12	8.62	18.00
1.50	69.50	42.50	72.00	45.00	4.06	2.12	8.62	24.00
1.75	57.38	39.38	60.38	42.38	4.62	2.38	10.00	18.00
1.75	69.38	45.38	72.38	48.38	4.62	2.38	10.00	24.00
2.00	75.69	51.69	79.19	55.19	5.75	2.69	13.09	24.00
2.50	78.62	54.62	82.62	58.62	6.50	3.12	13.78	24.00
2.75	81.00	57.00	85.50	61.50	7.00	3.25	15.22	24.00

TEMPLADOR GANCHO Y GANCHO



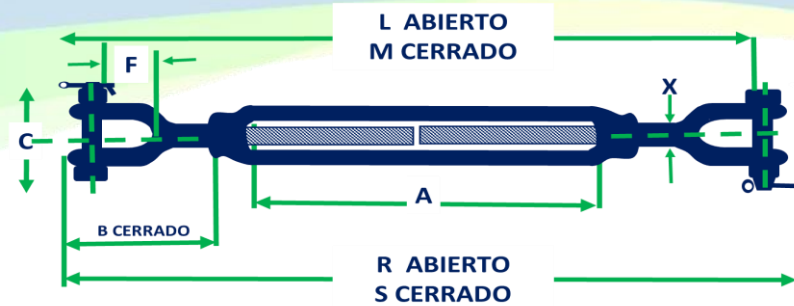
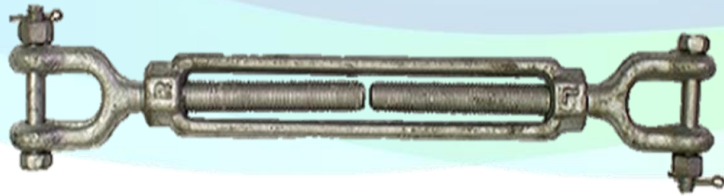
SLR Crosby



DIÁMETRO DE ROSCA LONG. A TENSAR (PULG.)	LÍMITE DE TRABAJO (LBS.)	PESO DE C/U. (LBS.)
1/4 X 4	400	0.30
5/16 X 4-1/2	700	0.47
3/8 X 6	1.000	0.78
1/2 X 6	1.500	1.60
1/2 X 12	1.500	2.28
5/8 X 6	2.250	2.75
5/8 X 12	2.250	3.50
3/4 X 6	3.000	3.89
3/4 X 12	3.000	5.43
3/4 X 18	3.000	8.12
7/8 X 12	4.000	8.10
1 X 12	5.000	11.93

DIMENSIONES EN PULGADAS								
X	E	B (CERRADO)	D	L (ABIERTO)	M (CERRADO)	R (ABIERTO)	S (CERRADO)	A
0.25	0.45	1.59	1.27	11.12	7.12	11.94	7.94	4.00
0.31	0.50	1.94	1.50	12.81	8.31	13.81	9.31	4.50
0.38	0.56	2.30	1.77	16.50	10.50	17.72	11.72	6.00
0.50	0.66	2.94	2.28	18.82	11.82	20.38	13.38	6.00
0.50	0.66	2.94	2.28	30.82	17.82	32.38	19.38	12.00
0.63	0.90	3.69	2.81	20.50	13.25	22.50	15.25	6.00
0.63	0.90	3.69	2.81	32.50	19.25	34.50	21.25	12.00
0.75	0.98	4.52	3.33	22.38	14.88	24.78	17.28	6.00
0.75	0.98	4.52	3.33	34.38	20.88	36.78	23.28	12.00
0.75	0.98	4.52	3.33	46.38	26.88	48.78	29.28	18.00
0.88	1.13	5.19	3.78	36.00	22.25	38.75	25.00	12.00
1.00	1.25	5.84	4.25	37.63	23.63	40.69	26.69	12.00

TEMPLADOR QUIJADA Y QUIJADA



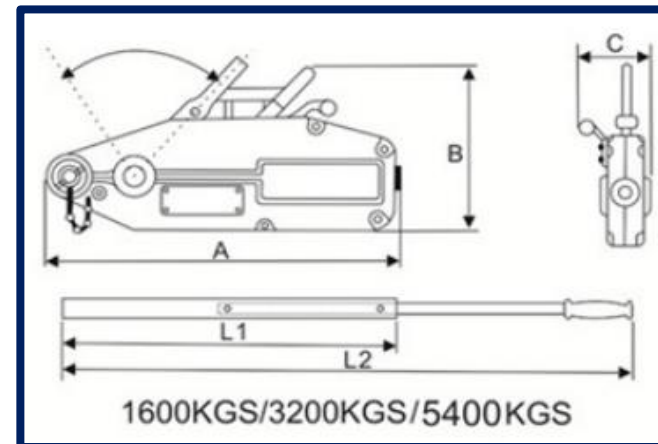
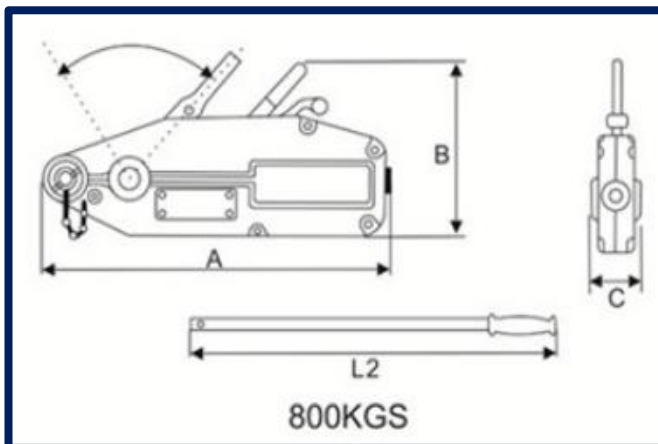
DIÁMETRO DE ROSCA LONG. A TENSAR (PULG.)	LÍMITE DE TRABAJO (LBS.)	PESO DE C/U. (LBS.)
1/4 X 4	500	0.36
5/16 X 4-1/2	800	0.52
3/8 X 6	1.200	0.81
1/2 X 6	2.200	1.56
1/2 X 9	2.200	1.74
1/2 X 12	2.200	2.40
5/8 X 6	3.500	2.72
5/8 X 9	3.500	3.43
5/8 X 12	3.500	3.91
3/4 X 6	5.200	4.11
3/4 X 9	5.200	5.46
3/4 X 12	5.200	6.56
3/4 X 18	5.200	8.03
7/8 X 12	7.200	8.17
7/8 X 18	7.200	10.78
1 X 6	10.000	10.18
1 X 12	10.000	13.14
1 X 18	10.000	15.14
1 X 24	10.000	18.08
1-1/4 X 12	15.200	20.59
1-1/4 X 18	15.200	24.68
1-1/4 X 24	15.200	28.20
1-1/2 X 12	21.400	30.69
1-1/2 X 18	21.400	36.75
1-1/2 X 24	21.400	41.60
1-3/4 X 18	28.000	54.00
1-3/4 X 24	28.000	63.36
2 X 24	37.000	94.25
2-1/2 X 24	60.000	165.00
2-3/4 X 24	75.000	198.00

DIMENSIONES EN PULGADAS								
X	C	B (ABIERTO)	F	L (ABIERTO)	M (CERRADO)	R (ABIERTO)	S (CERRADO)	A
0.25	0.45	1.58	0.62	10.90	6.90	11.90	7.90	4.00
0.31	0.50	1.98	0.87	12.36	8.36	13.90	9.40	4.50
0.38	0.54	2.12	0.87	16.14	10.14	17.38	11.38	6.00
0.50	0.65	2.75	1.06	18.50	11.50	20.00	13.00	6.00
0.50	0.65	2.75	1.06	24.50	14.50	26.00	16.00	9.00
0.50	0.65	2.75	1.06	30.50	17.50	32.00	19.00	12.00
0.63	0.79	3.50	1.31	20.05	12.80	22.13	14.88	6.00
0.63	0.79	3.50	1.31	26.05	15.80	28.13	17.88	9.00
0.63	0.79	3.50	1.31	32.05	18.80	34.13	20.88	12.00
0.75	0.94	4.18	1.50	21.50	14.00	24.10	16.60	6.00
0.75	0.94	4.18	1.50	27.50	17.00	30.10	19.60	9.00
0.75	0.94	4.18	1.50	33.50	20.00	36.10	22.60	12.00
0.75	0.94	4.18	1.50	45.50	26.00	48.10	28.60	18.00
0.88	1.13	4.85	1.75	35.11	21.36	38.07	24.32	12.00
0.88	1.13	4.85	1.75	47.11	27.36	50.07	30.32	18.00
1.00	1.34	5.53	2.06	24.72	16.72	28.06	20.06	6.00
1.00	1.34	5.53	2.06	36.72	22.72	40.06	26.06	12.00
1.00	1.34	5.53	2.06	48.72	28.72	52.06	32.06	18.00
1.00	1.34	5.53	2.06	60.72	34.72	64.06	38.06	24.00
1.25	1.75	7.21	2.81	39.84	25.34	44.04	29.54	12.00
1.25	1.75	7.21	2.81	51.84	31.34	56.04	35.54	18.00
1.25	1.75	7.21	2.81	63.84	37.34	68.04	41.54	24.00
1.50	2.06	7.88	2.81	41.50	26.50	46.50	31.50	12.00
1.50	2.06	7.88	2.81	53.50	32.50	58.50	37.50	18.00
1.50	2.06	7.88	2.81	65.50	38.50	70.50	43.50	24.00
1.75	2.60	9.40	3.38	53.38	35.38	59.18	41.18	18.00
1.75	2.60	9.40	3.38	65.38	41.38	71.18	47.18	24.00
2.00	2.62	11.86	3.69	69.54	45.54	76.72	52.72	24.00
2.50	3.01	13.56	4.44	72.98	48.98	82.18	58.18	24.00
2.75	3.63	15.22	4.19	74.75	50.75	85.50	61.50	24.00

TIRFOR



Rated Capacity kg		800	1600	3200	5400
Rope Advance per Full Stroke mm		≥52	≥55	≥28	≥25
Lever Pull at WLL N		341	400	438	850
Rope Diameter mm		8.3	11	16	20
Standard Length or Wire Rope m		20	20	20	20
Net Weight Without Cable kg		6.4	12	23	58
Cable Weight kg		8.5	16.5	25	36
Max. Overall Size (mm)	A	430	548	660	930
	B	238	284	335	390
	C	64	97	116	150
L1(cm)		—	70	70	70
L2(cm)		80	120	120	120



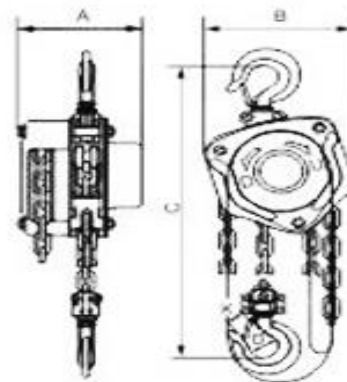
TECLE MANUAL



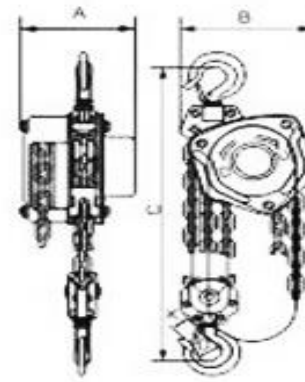
Only Safety Matters



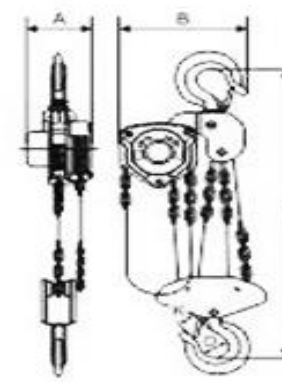
MODEL		CHB005	CHB010	CHB015	CHB020	CHB030	CHB050	CHB075	CHB100	CHB200	CHB300	CHB500
CAPACITY	t	0.5	1	1.5	2	3	5	7.5	10	20	30	50
STANDARD LIFT	m	2.5	2.5	2.5	3	3	3	3	3	3	3	3
PROOF LOAD	kN	7.35	14.7	22.1	29.4	44.1	73.5	110.2	147	245	367.5	612.5
EFFORT REQUIRED TO LIFT RATED LOAD	N	200	320	360	365	385	435	435	435	435 X 2	435 X 2	435 X 2
NO OF FALLS OF LOAD CHAIN		1				2		3	4	8	12	22
LOAD CHAIN	mm	6 X 18			8 X 24			10 X 30				
DIMENSIONS (MM.)	A	137.5	146.5	170	170	170	190	190	190	209	312	495
	B	137	162	183	194	220	288	377	384	625	691	958
	C	270	317	399	414	465	636	768	798	890	1380	2578
	D	35	35.5	45	42.5	50	65	64	85	110	110	170
	K	28	26	32.5	32	37	46	46	50	81	81	125
NET WEIGHT	Kg	8.7	10.8	15.2	18	24.3	38.7	61.6	78	163.6	220	1092
EXTRA WEIGHT PER METRE OF EXTRA LIFT	Kg	1.6	1.6	2.2	2.2	3.6	5.2	7.5	9.5	19	27.7	49.4



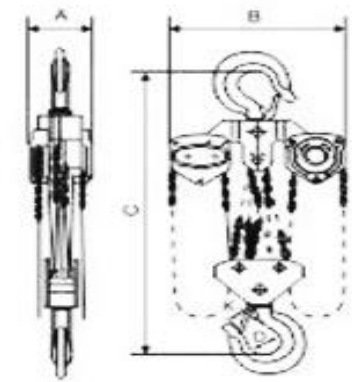
0.5t - 2t



3t, 5t



10t



20t - 50t

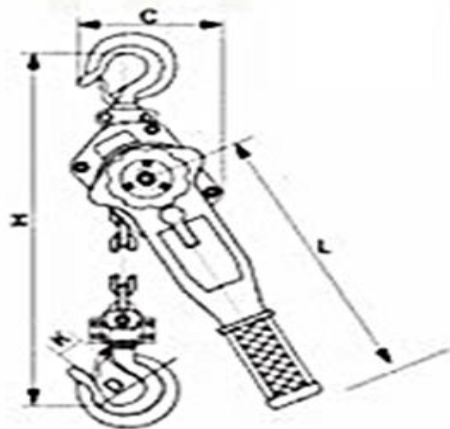
TECLE RACHET



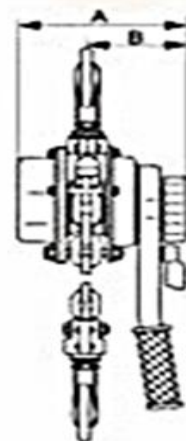
Only Safety Matters



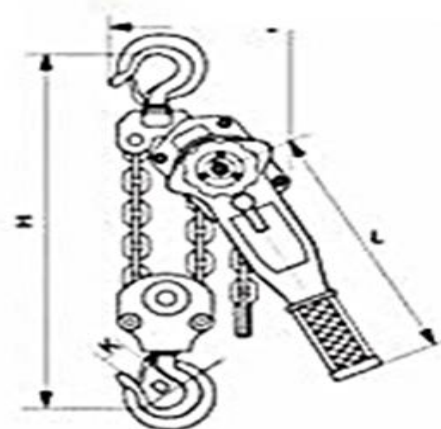
MODEL		LHA075	LHA150	LHA300	LHA600	LHA900
CAPACITY	t	0.75	1.5	3	6	9
STANDARD LIFT	m	1.5	1.5	1.5	1.5	1.5
PROOF LOAD	kN	11.00	22.1	44.1	88.2	132.3
EFFORT REQUIRED TO LIFT RATED LOAD	N	140	240	320	340	360
NO OF FALLS OF LOAD CHAIN		1			2	3
LOAD CHAIN	mm	6 X 18	8 X 24	10 X 30		
DIMENSIONS (MM.)	A	148	176	195	195	195
	B	88	102	109	109	109
	C	135	162	211	254	319
	D	37	45	50	64	85
	H	320	380	480	620	700
	L	290	420	420	420	420
	K	26	32.5	38	48	50
NET WEIGHT	Kg	7.7	11.8	21	32	47
EXTRA WEIGHT PER METRE OF EXTRA LIFT	Kg	0.8	1.4	2.2	4.3	6.5



0.75t, 1.5t, 3t



6t, 9t

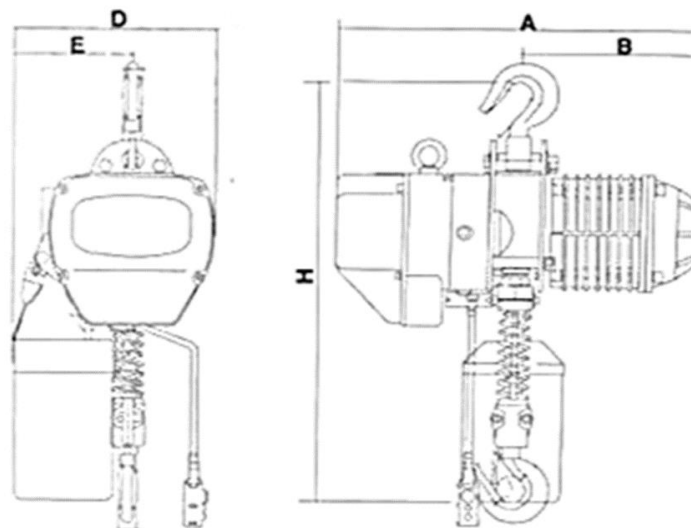


TECLE ELÉCTRICO CON GANCHO

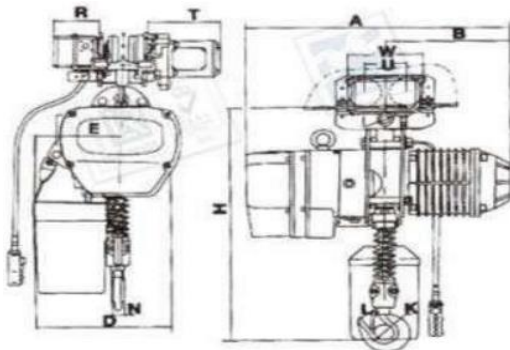


Only Safety Matters

MODEL		EHK005	EHK010	EHK010D	EHK020	EHK020D	EHK030	EHK030D	EHK030T	EHK050	EHK075
CAPACITY	t	0.5	1	1	2	2	3	3	3	5	7.5
WORK GROUP		1Am/M4	1Am/M4	1Am/M4	1Am/M4	1Am/M4	1Am/M4	1Am/M4	1Am/M4	1Am/M4	1Am/M4
LIFTING SPEED	m/min	7.2/2.4	6.8/2.3	3.6/1.2	6.6/2.2	3.4/1.1	5.6/1.9	3.3/1.1	2.2/0.7	2.8/0.9	1.8/0.6
HOIST MOTOR	kw	1.1/0.37	1.5/0.5	1.1/0.37	3.0/1.0	1.5/0.5	3.0/1.0	3.0/1.0	1.5/0.5	3.0/1.0	3.0/1.0
LOAD CHAIN	mm	6.3	7.1	6.3	10	7.1	11.2	10	7.1	11.2	11.2
LOAD CHAIN FALLS		1	1	2	1	2	1	2	3	2	3
Hmin	mm	530	650	680	800	835	845	950	950	1030	1380
DIMENSIONS (MM.)	A	460	520	460	615	520	615	615	520	615	615
	B	230	260	230	295	260	295	295	260	295	295
	D	288	300	288	430	300	430	430	350	430	505
	E	165	176	165	265	236	320	320	205	325	320
NETWEIGHT	Kg	39	51	45	98	55	103	113	72	125	180



TECLE ELÉCTRICO CON TROLEY



MODEL		EHKT005	EHKT010	EHKT020D	EHKT020	EHKT030D	EHKT030	EHKT050
CAPACITY		9.5	1	2	2	3	3	5
WORK GROUP		1Am/M4	1Am/M4	1Am/M4	1Am/M4	1Am/M4	1Am/M4	1Am/M4
LIFTING SPEED	m/min	7.2/2.4	6.8/2.3	3.4/1.1	6.6/2.2	3.3/1.1	5.6/1.8	2.8/0.9
HOIST MOTOR	kw	1.1/0.37	1.5/0.5	1.5/0.5	3.0/1.0	3.0/1.0	3.0/1.0	3.0/1.0
TRAVELING SPEED	m/min	11	11	11	11	11	11	11
TROLLEY MOTOR	kw	0.4	0.4	0.4	0.4	0.75	0.75	0.75
BEARN FLANGE	mm	75-125	68-153	82-178	82-178	100-178	100-178	100-178
LOAD CHAIN	mm	6.3	7.1	7.1	10	10	11.2	11.2
LOAD CHAIN FALLS		1	1	2	1	2	1	2
Hmin	mm	635	650	815	770	930	830	1015
DIMENSIONS (MM.)	A	460	520	520	615	615	615	615
	B	230	260	260	295	295	295	295
	D	288	300	300	430	430	430	430
	E	165	176	236	265	320	265	325
	I	31	31	36	36	43	43	54
	K	31	42	49	49	59	59	60
	L	29	32	40	40	48	48	48
	N	20	24	30	30	35	35	43
	W	180	207	237	237	265	265	296
	U	100	113	127	127	140	140	156
	R	140	142	142	142	142	142	142
	T	159	231	231	231	231	231	231
NET WEIGHT	Kg	90	111	126	172	225	209	241

DRIZAS

TAMAÑO		NYLON
DIAMETRO	MM.	RESISTENCIA A LA RUPTURA KG- FUERZA
1/4"	5.4	750
3/8"	9.5	1.300
1/2"	12.7	2.900
5/8"	15.8	4.350
3/4"	19.0	4.900
7/8"	22.2	6.800

3-STRANDS-TORCIDO

TAMAÑO			NYLON		POLIPROPILENO	
DIAM.	MM.	CIRC.	RESISTENCIA A LA RUPTURA KG-FUERZA	PESO	RESISTENCIA A LA RUPTURA KG-FUERZA	PESO
3/16	5	5/8	570	1.56	420	1.20
1/4	6	3/4	760	2.25	600	1.70
5/16	8	1	1.390	4.00	1.100	3.00
3/8	9	1-1/8	1.750	5.00	1.300	3.70
7/16	11	1-3/8	2.600	7.50	1.900	5.50
1/2	13	1-5/8	3.570	10.50	2.600	7.80
9/16	14	1-3/4	4.180	12.20	3.000	9.00
5/8	16	2	5.380	15.80	3.800	11.50
3/4	19	2-3/8	7.650	22.10	5.200	16.20
13/16	20	2-1/2	8.450	24.50	5.800	18.00
7/8	22	2-3/4	10.400	30.00	7.000	22.00
1	25	3-1/8	13.400	38.80	8.100	28.20
1-1/8	28	3-1/2	16.200	48.50	10.700	35.50
1-1/4	32	4	20.600	63.00	13.500	46.00
1-1/2	38	4-3/4	28.200	89.30	18.500	65.00
1-3/4	44	5-1/2	37.000	120.00	24.600	88.00
2	50	6-1/4	46.300	153.50	30.500	112.80
2-1/4	56	7	57.000	193.00	37.800	142.00
2-1/2	64	8	73.000	252.00	48.900	185.00
2-7/8	72	9	91.000	319.00	61.400	234.00
3	75	9-1/4	98.700	346.00	66.400	254.90

3-STRANDS- BOZA

TAMAÑO			NYLON		POLIPROPILENO	
DIAM.	MM.	CIRC.	RESISTENCIA A LA RUPTURA KG-FUERZA	PESO	RESISTENCIA A LA RUPTURA KG-FUERZA	PESO
1-1/8	28	3-1/2	17.800	48.50	---	---
1-1/4	32	4	22.500	63.00	---	---
1-7/16	36	4-1/2	28.200	80.00	---	---
1-9/16	40	5	34.000	99.00	---	---
1-3/4	44	5-1/2	40.500	120.00	---	---
1-7/8	48	6	47.500	142.00	24.600	88.00
2	50	6-1/4	51.300	153.50	28.600	104.00
2-1/4	56	7	62.500	193.00	---	---
2-3/8	60	7-1/2	70.500	221.00	37.800	142.00
2-1/2	64	8	80.000	252.00	43.200	163.00
2-3/4	70	8-11/16	95.000	302.00	48.900	185.00
2-7/8	72	9	100.000	319.00	---	---
3	75	9-1/4	106.000	346.00	61.400	234.00
3-3/8	85	10-1/2	138.000	445.00	---	---



MARCAS COMERCIALIZADAS



Only Safety Matters



Crosby[®]



VITAL[®]

SLR[®]

www.americanbismarck.com